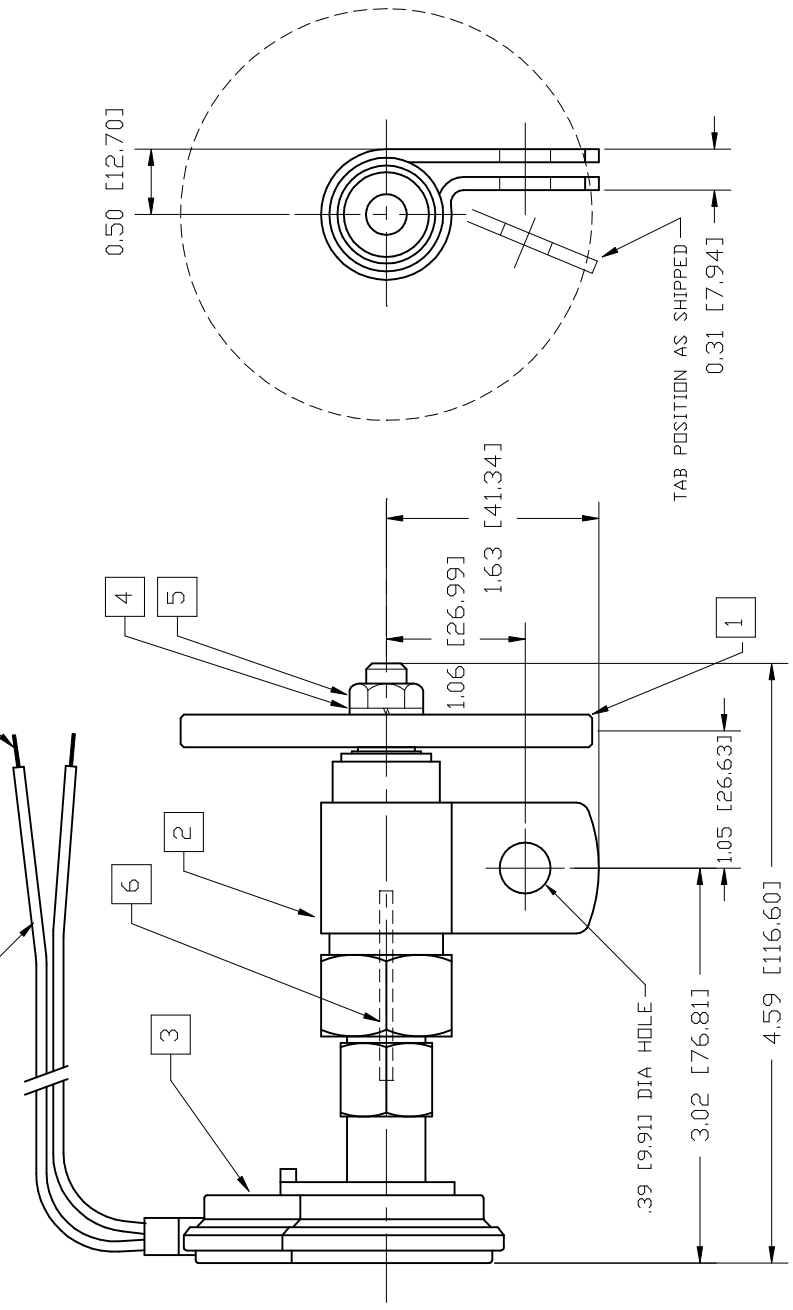



DATE	SYM	REVISION	AUTH	DR. CK
07-02-92	A	RELEASED		
12-10-95	B	REMOVE ITEM 11, TERMINALS CORRECT DRIVE TANG P/N		
	C			
	D			
	E			

5.0±0.75 [127±19] LONG
STRIP 1/4 [6.4]



REF	QUAN	PART NO.	DESCRIPTION
1	1	A90117-1	WHEEL
2	1	A90118	BEARING ASSEMBLY
3	1	B92221	SENDER ASSEMBLY®
4	1	COM'L	5/16 SPLIT LOCKWASHER
5	1	COM'L	5/16-18 STL HEX NUT
6	1	A90123A	DRIVE TANG
7	1	COM'L	BOLT, 3/8-16, 1.5"
8	1	COM'L	WASHER, FLAT 3/8 STL
9	1	COM'L	3/8 SPLIT LOCKWASHER
10	1	COM'L	3/8-16 STL HEX NUT

AutoCAD File:

 MICRO SYSTEMS DEVELOPMENT INC. DAYTON, OHIO 45458	
TOLERANCES	
INCHES	
DECIMAL	
.XX	±0.01
.XXX	±0.005
MAT'L AND FINISH	SCALE
	FULL
	APPROVED BY
	J. Butler
TITLE SENDER INSTALLATION SKETCH	
DIMENSIONS FOR REFERENCE ONLY	
ANGULAR	DATE
±0.1 DEG	6/21/92
SIZE	DRAWING NUMBER
B	92100
REV.	B

4. ALL DIMENSIONS FOR REFERENCE ONLY
 3. ITEMS 7-10 ASSEMBLED LOOSE IN BRACKET
 2. USE RUBBER GASKETS SUPPLIED
 1. ASSEMBLE 2 TO 3 AND 2 TO 5 WITH THREADLOCK

NOTES: