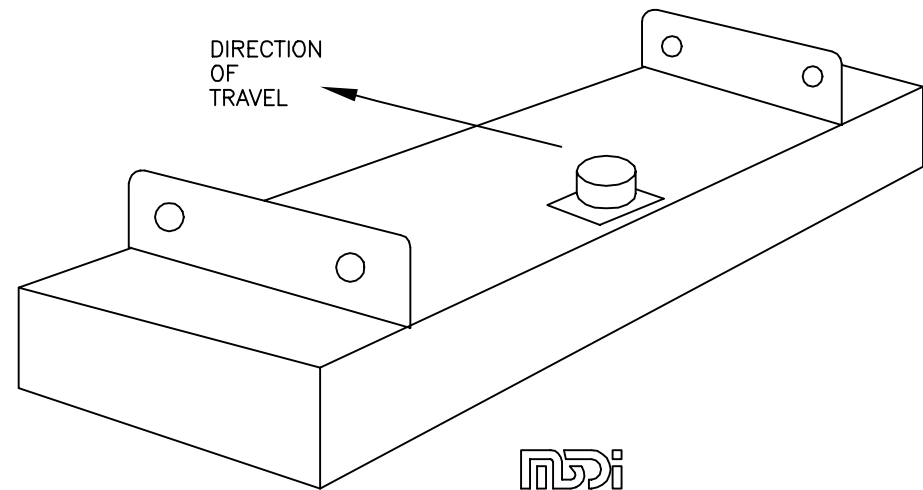
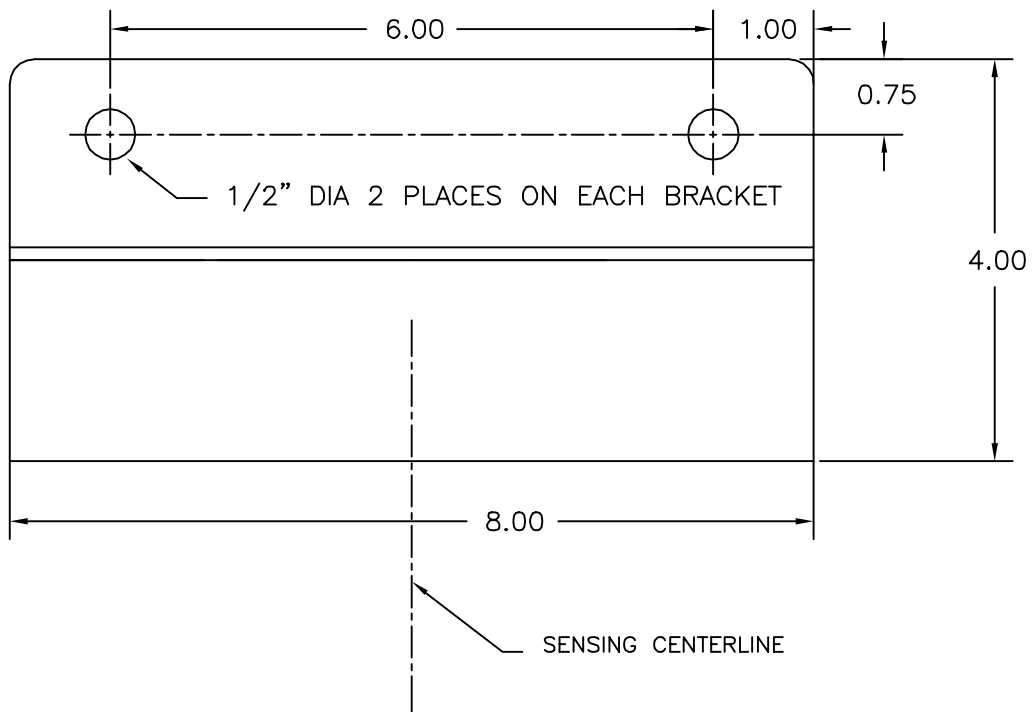
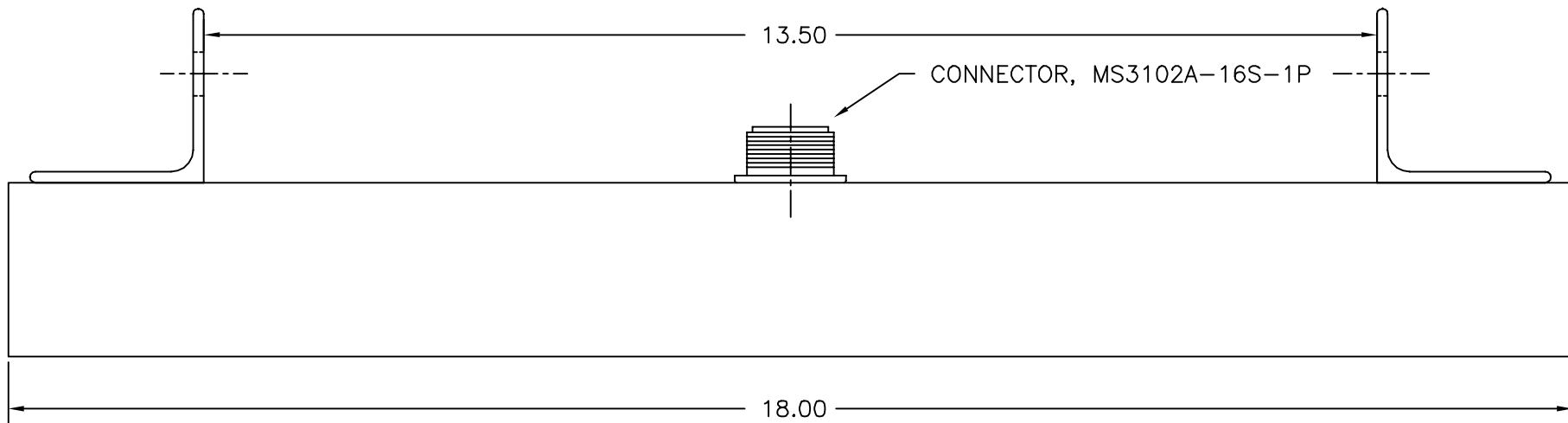


REFLECTOR SENSOR DIMENSIONS 12 INCH
 USED ON MODEL R10 DETECTOR SYSTEM
 1/15/92
 WEIGHT: 10 POUNDS



REFLECTOR SENSOR DIMENSIONS 18 INCH
 USED ON MODEL R10 DETECTOR SYSTEM
 1/15/92
 WEIGHT: 15 POUNDS