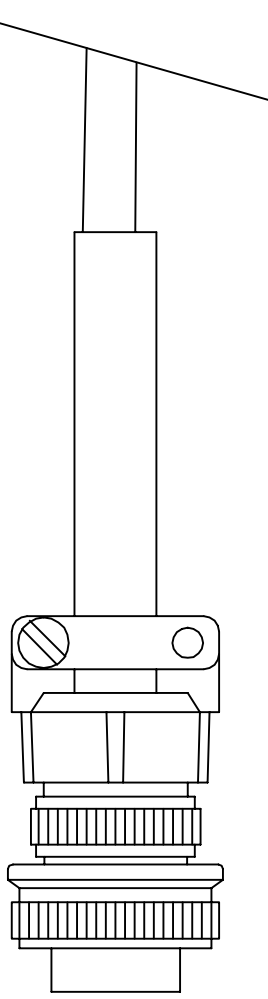
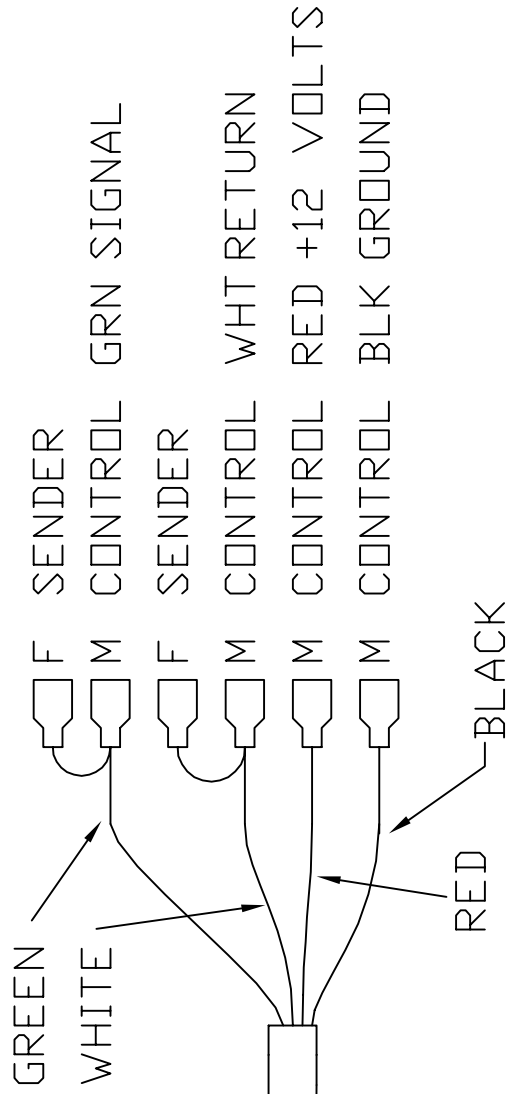


# SPEEDOMETER CONNECTOR




- A - RED
- B - BLACK
- C - GREEN
- D - WHITE



NOTES:  
 CABLE IS 15 FEET UNLESS OTHERWISE SPECIFIED

CONNECTOR IS MS-3106A-14S-2S  
 WITH STRAIN RELIEF

DATE	SYM	REVISION	AUTH	DR. CK.
	A			
	B			
	C			
	D			
	E			

TOLERANCES		 MICRO SYSTEMS DEVELOPMENT, INC. Dayton, Ohio 45458	
DECIMAL	MAT'L AND FINISH	SCALE	DRAWN BY J. Butler
.XX ? .01			APPROVED BY
.XXX ? .005	TITLE MECHANICAL ASSEMBLY FOR S40		
	CABLE FOR SKIPLINE APPLICATION		
ANGULAR	DATE	SIZE	DRAWING NUMBER
? .1 deg	6/22/94	A	97104
			REV. B